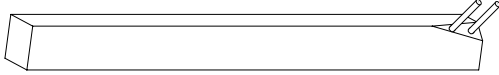
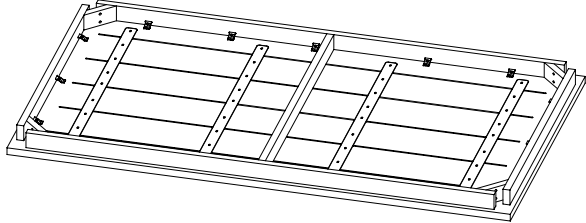

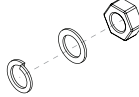


# CITTÀ

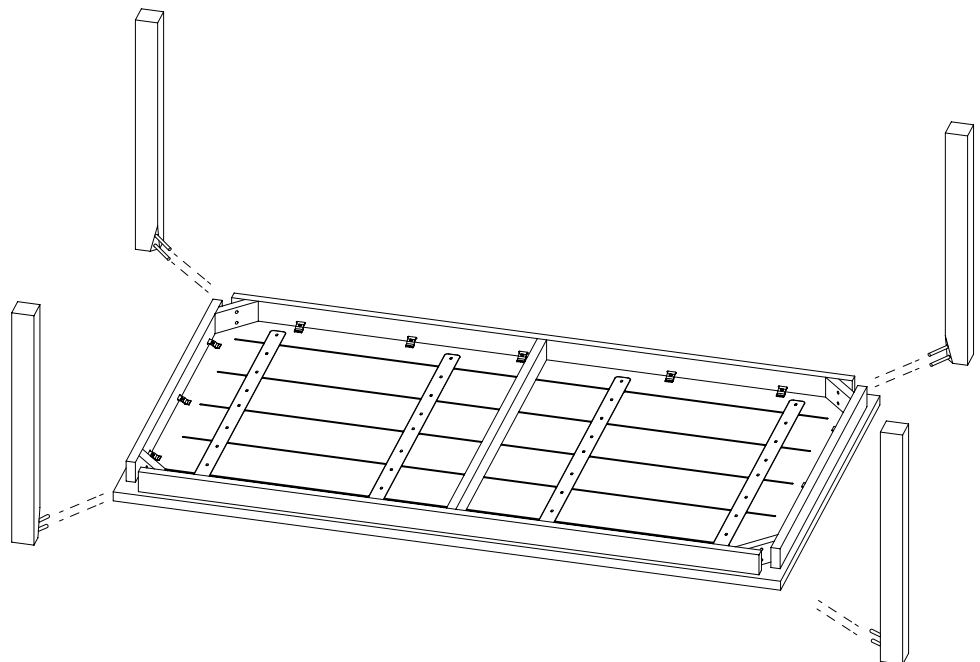
## 365 Dining Table

|  |  |
|--|--|
| <p>Legs x 4</p>  | <p>Table Top</p>   |
|   |    |
| <p>Spanner x 1</p>   | <p>Washer, Spring Washer and Nut x 8</p>   |
|  |  |

### Step 1

Lay the table top face down on a soft clean surface.

Position each leg in place.



## Step 2

---

Thread a washer and spring washer onto each bolt. Loosely tighten nuts onto each bolt before fully tightening to secure the legs.

*Always use two people to flip the table over to an upright position. Ensure the table is held by the table top or rails and never the legs when maneuvering.*

