

# CITTÀ

## Aspen Dining Chair

---

### Product Information Document

The clean lines and balanced proportions of the Aspen chair make it a timeless, welcoming addition to your dining setting. Designed in our New Zealand studio by David Moreland.



# Aspen Dining Chair

---

## Material

Base: Solid Oak / Solid beech / Mild steel

Seat: Solid oak w/oak veneer / Solid beech w/beech veneer

---

## Colour



Oak w/wooden legs

TSF0026



Oak w/metal legs

TSF0050BFSC



Black w/wooden legs

TSF0028



Black w/metal legs

TSF0051BFSC

---

Dimensions Packaged: 68 x 45 x 93 cmh (Wooden legs) | 68 x 55 x 98 cmh (Metal legs)

Dimensions Assembled: 56 x 44 x 80 cmh (Wooden legs) | 52 x 48 x 75 cmh (Metal legs)

Weight Packaged: 12.1 kg (Wooden legs) | 15 kg (Metal legs)

Weight Assembled: 10 kg (Wooden legs) | 12 kg (Metal legs)

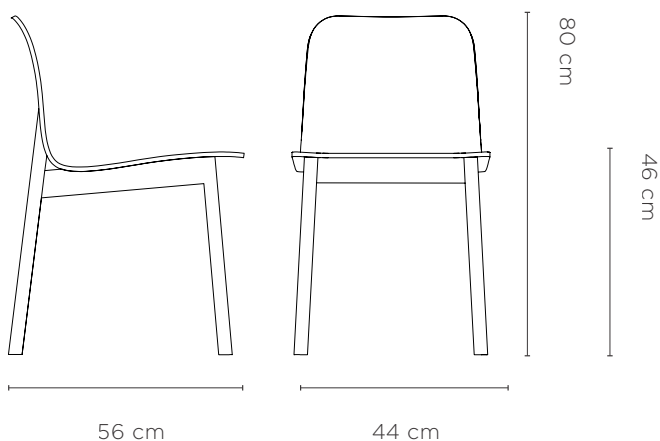
---

## Care Instructions

Wipe clean using warm damp cloth. Avoid leaving water sitting on the surface as this can damage the product.

Avoid the use of scouring pads, scouring cream or cleaning products containing alcohol as they may cause damage.

## Wooden Leg



## Metal Leg

