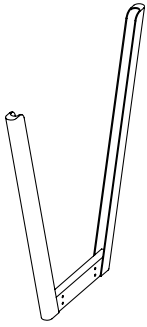
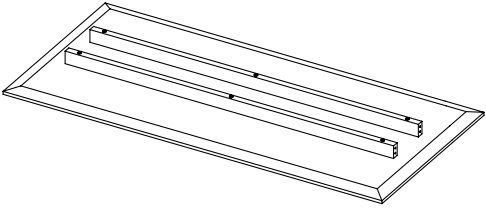
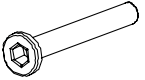
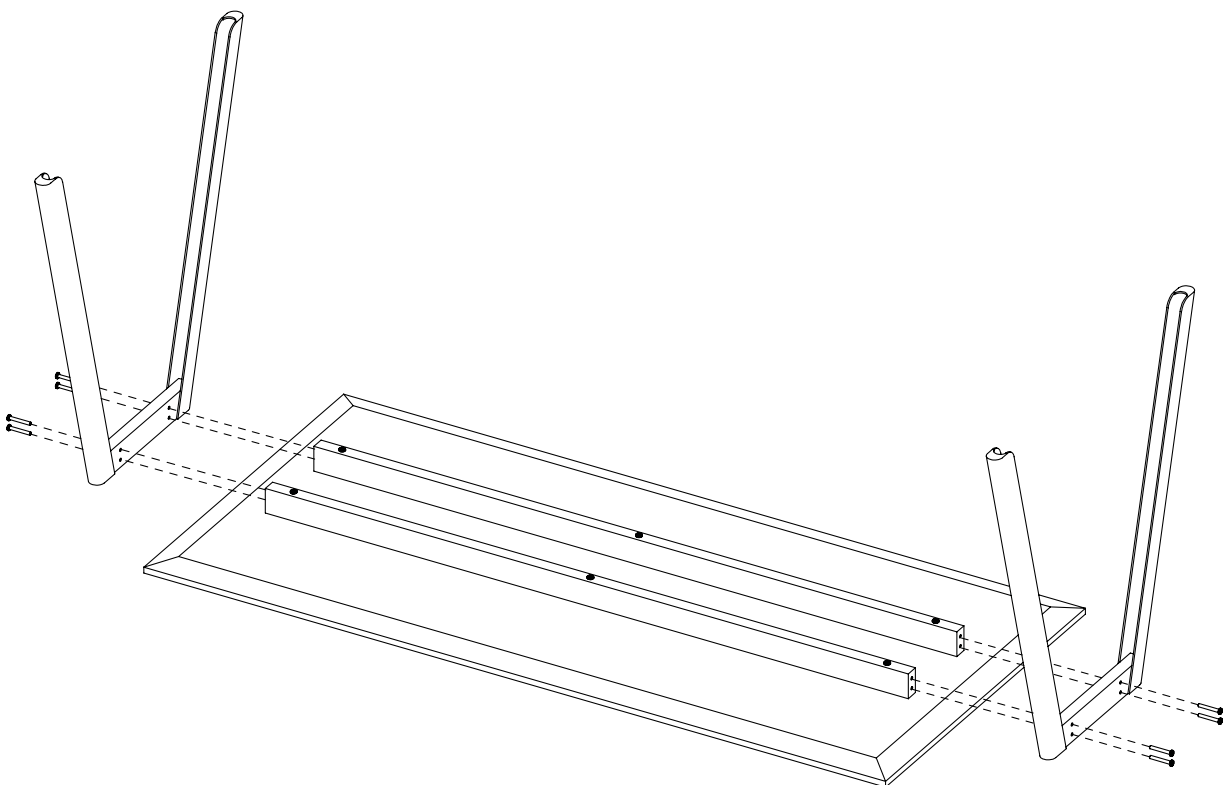


# CITTÀ

## Assembly Desk

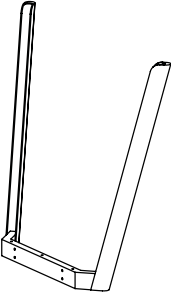
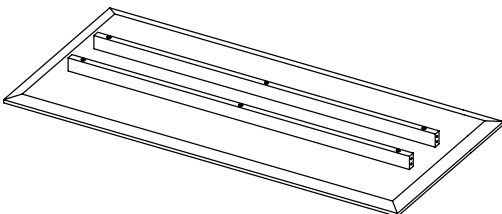
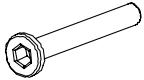
Legs x 2	Table Top x 1	Bolts x 8
		

Place the tabletop upside down on a clean soft surface. Locate the legs onto the tabletop. Using the hex key provided; tighten each bolt through the leg hole into the tabletop rail. Once the legs are secured, use two people to flip the table into the upright position.

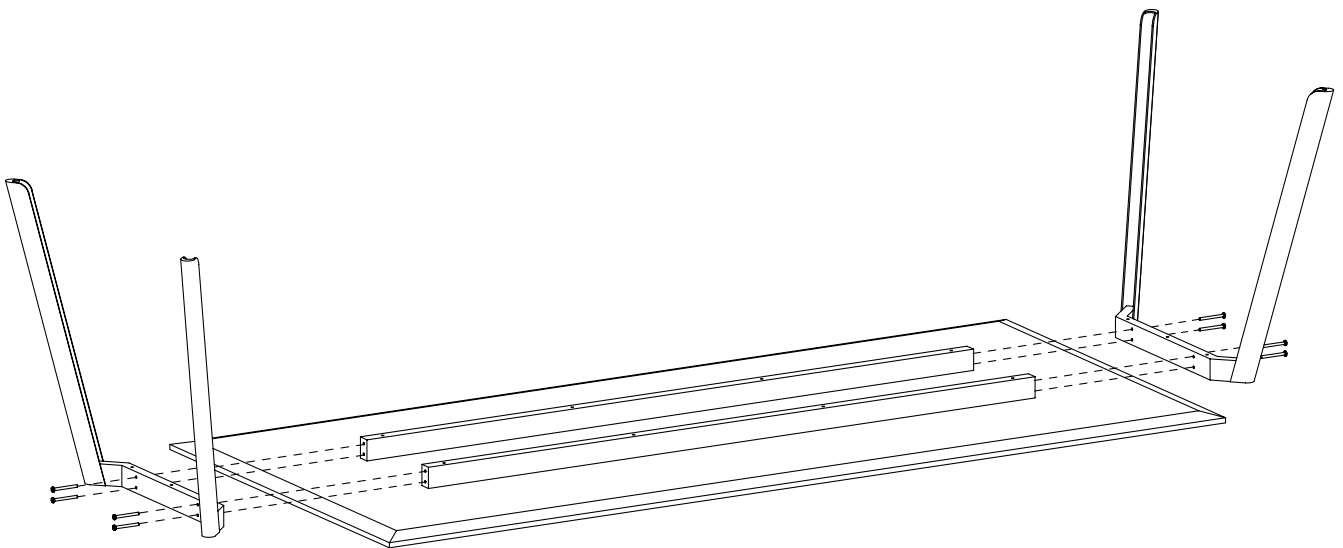


# CITTÀ

## Assembly Dining Table

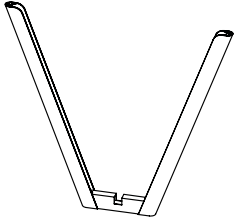
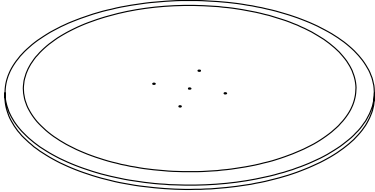
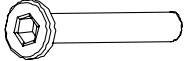
Legs x 2	Table Top x 1	Bolts x 8
		

Place the tabletop upside down on a clean soft surface. Locate the legs onto the tabletop. Using the hex key provided; tighten each bolt through the leg hole into the tabletop rail. Once the legs are secured, use two people to flip the table into the upright position.



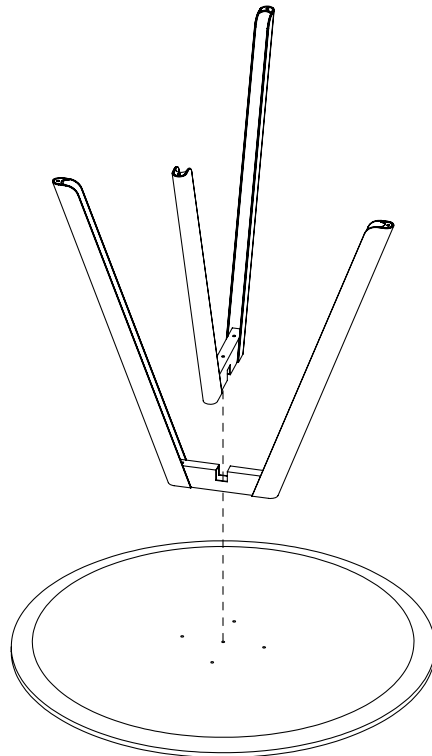
# CITTÀ

## Assembly Round Table

Legs x 2	Table Top x 1	Bolts x 5
		

### Step 1

Place the tabletop upside down on a clean soft surface. Interlock the two legs and locate them onto the tabletop.



### Step 2

Using the hex key provided; tighten each bolt through the leg rail into the tabletop threaded inserts. Once the legs are secured, use two people to flip the table into the upright position.

