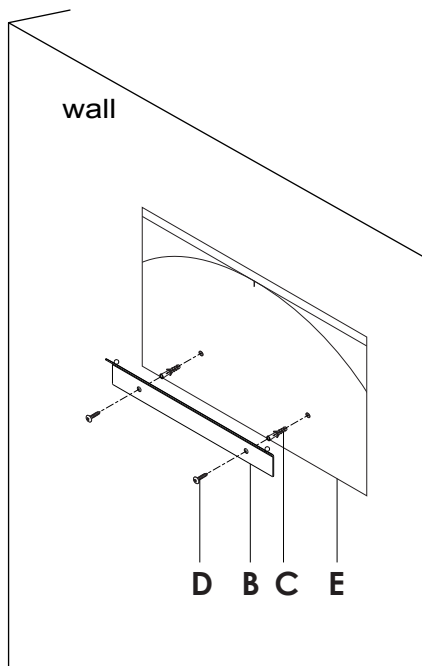
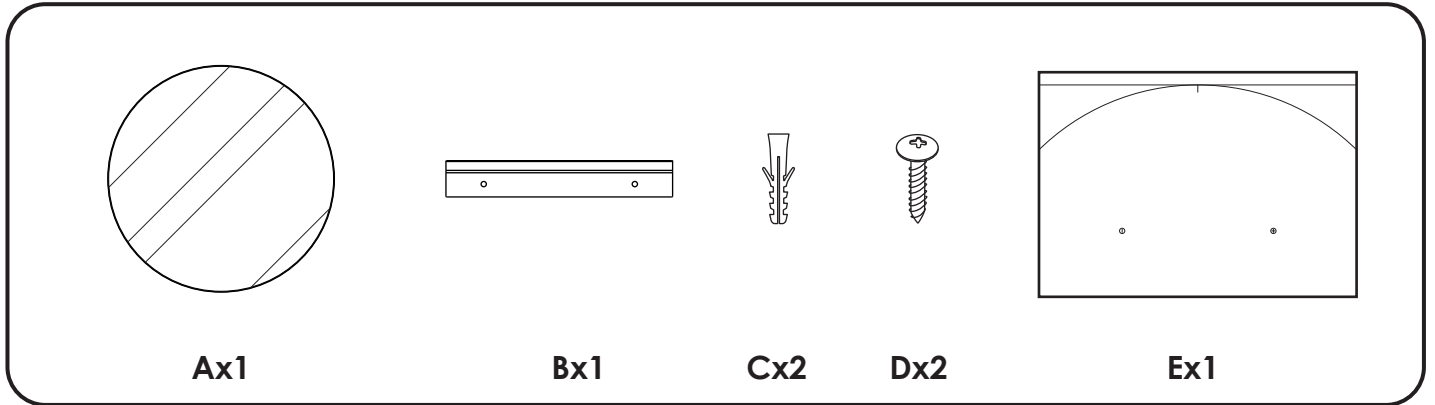


Round Mirror

Mirror Installation Instructions

CITTÀ
ESSENTIALS

We recommend using a qualified builder to install this product. where possible it is recommended that the mirror is fixed into a wall stud.



1. Attach the drilling template (part E) to the wall, with the curved line representing the top of the mirror. drill holes into the two marks indicated on the drilling template. remove the template and screw the bracket (part B) into the wall.

2. hang the mirror over the bracket

