


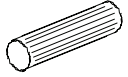
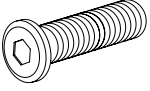
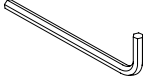


CITTÀ

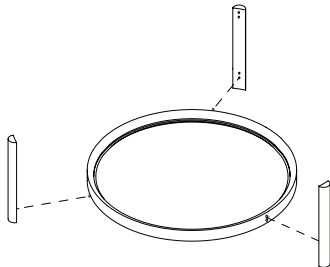
Column Coffee Table

Parts Included

Legs x 3	2 x Frame	2 x Table Tops
		
Dowel x 6	Bolt x 6	Allen Key x 1
		

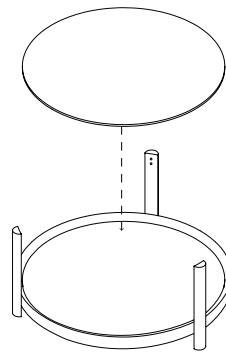
Step 1

Using three bolts and three dowels, fit and secure the legs onto the bottom frame.



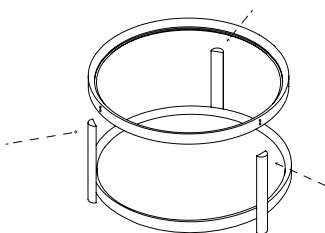
Step 2

Locate the first table top onto the bottom frame.



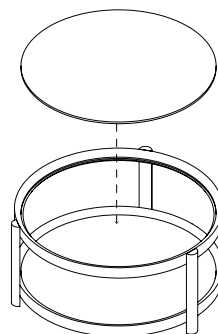
Step 3

Fit and secure the top frame to the legs using the remainder of the bolts and dowels.



Step 4

Locate the second table top onto the top frame.

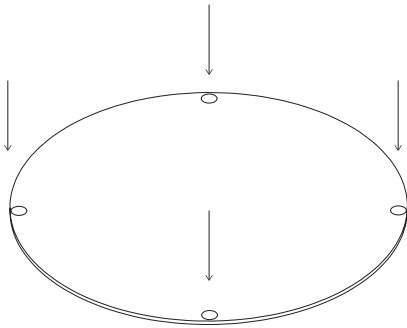


Column Table - Wooden Tops

The Column Table comes with a set of felt pads for wooden tops to ensure a soft connection point between the table top and frame.

Apply four felt pads to the underside of each table top at the edge before assembling the table.

Step 1



Step 2

