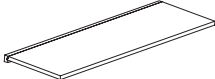
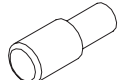
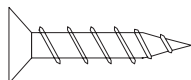
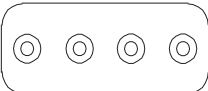


CITTÀ

Craft Cabinet Low

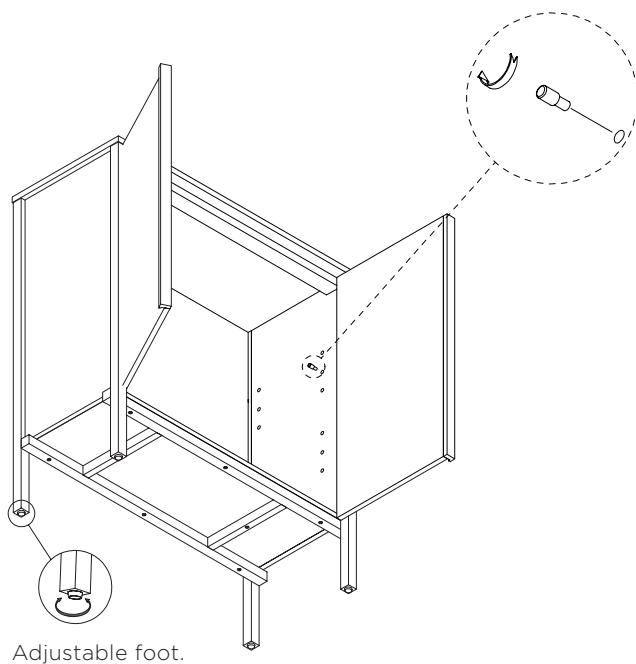
Tools Required Drill | Screwdriver

Hardware Included

H1 Shelf x 2	H2 Shelf Pin x 8
	
H3 Screw x 16	H4 Connection Plate x 4
	

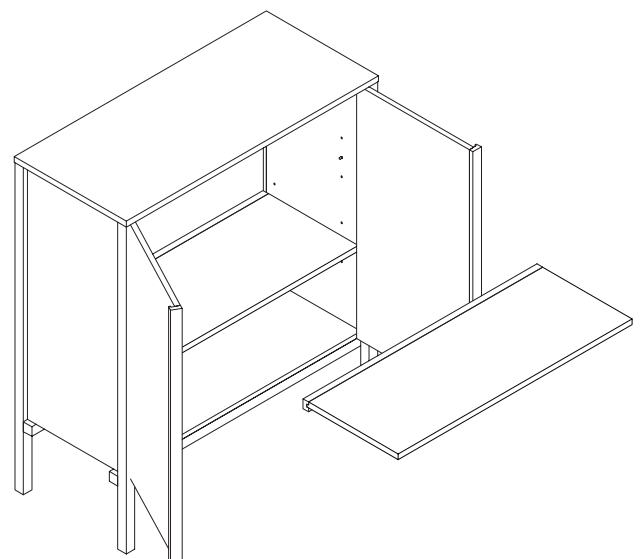
Step 1

Tighten the shelf pins in the desired location of your shelf.



Step 2

Place the shelves on the pins with the lipped edge of the shelf facing the back of the cabinet. Install the lowest shelf first.



Connecting Shelves

The Craft Cabinet can be connected to other Craft Cabinets and Craft Open Shelves in both low and high sizes.

a. For connecting open shelves, use the connection plates provided to screw the underside of each unit together at the front and back.

b. For connecting cabinets or open shelves to cabinets, use the connection plates provided to screw the uprights on the back side of each unit together at the top and bottom.

