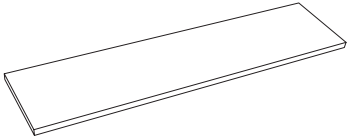
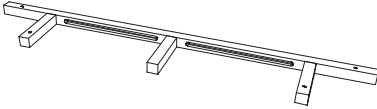
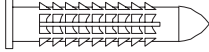





# CITTÀ

## Craft Floating Shelf Large

Tools Required    Drill  
                                   Level

Parts Included

<p>H1   Shelf x 1</p>	<p>H2   Bracket x 1</p>	<p>H3   Wall Plug x 4</p>
		
<p>H4   Wall Screw x 4</p>	<p>H5   Hex Bolt x 5</p>	<p>H6   Allen Key x 1</p>
		

We recommend using a qualified builder or cabinetmaker for installation.

We always recommend fixing this shelf into studs, nogs or masonry. Ensure at least two screws are fixed into load bearing wall when installing.

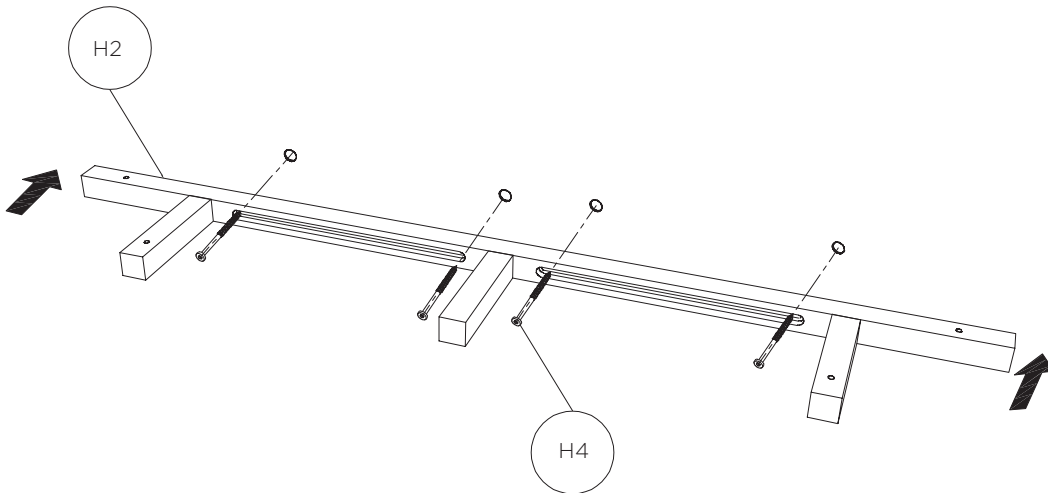
*Note \*If you are fixing some of the screws into dry wall (GIB), we recommend you purchase quality fixing anchors from your local hardware store.*

## Step 1

---

Locate your bracket in the desired position and drill in the first wall screw. Use a level to ensure the bracket is straight before repeating for the remaining screws.

*Ensure at least two screws are fixed into a stud, nog or masonry.*



## Step 2

---

Slot the shelf over the bracket and into place. Using the allen key and the hex bolts provided, screw the shelf to the bracket.

