
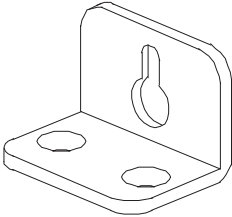

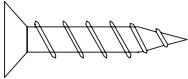
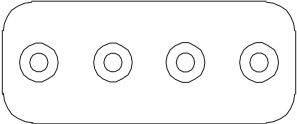


CITTÀ

Craft Open Shelf High

Tools Required Drill
 Screwdriver

Parts Included

<p>H1 Wall Screw x 2</p>	<p>H2 Keyhole Bracket x 2</p>	<p>H3 Wall Plug x 2</p>
		
<p>H4 Screw x 20</p>	<p>H5 Connection Plate x 4</p>	
		

We recommend using a qualified builder or cabinetmaker for installation.

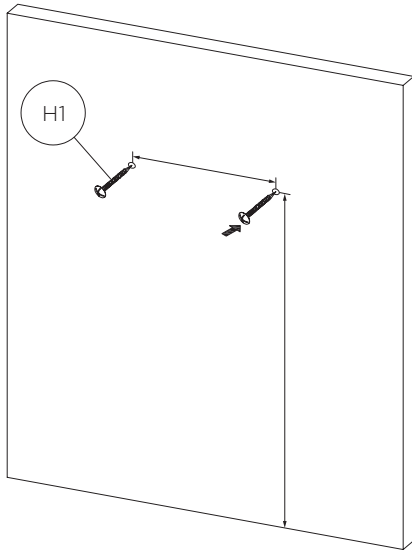
We always recommend fixing this shelf into studs, nogs or masonry.

*Note *If you are fixing some of the screws into dry wall (GIB), we recommend you purchase quality fixing anchors from your local hardware store.*

Installation & Assembly Instructions

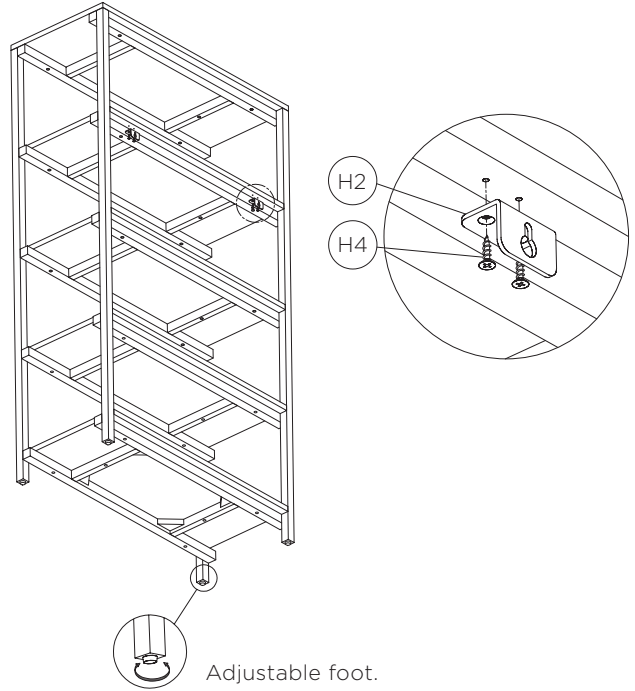
Step 1

Drill the longest screws into the wall in the desired position of your shelf. The screws should be 600mm apart and 1244mm from the floor. Leave roughly 15mm of the screw head exposed from the wall.



Step 2

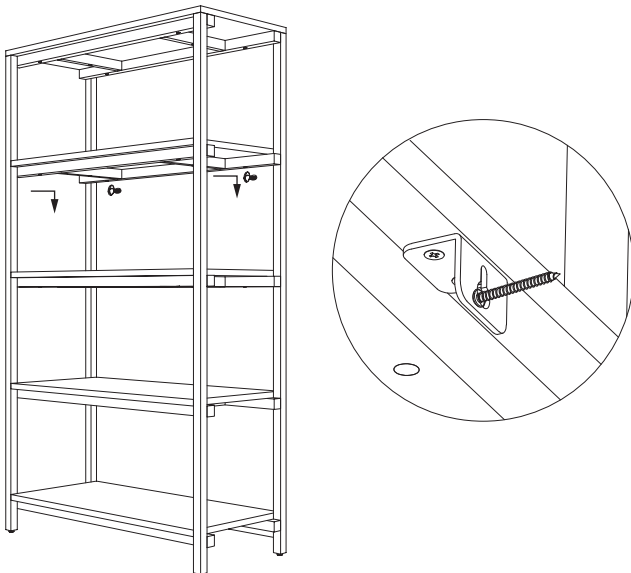
Screw the keyhole bracket into the pre-drilled holes on the underside of the shelf.



Step 3

Carefully lift the shelf and secure the keyhole bracket over the screws.

Note: The shelf should be firmly on the ground supporting its own weight. The keyhole only helps the shelf stay securely against the wall.



Connecting Shelves

The Craft Cabinet can be connected to other Craft Cabinets and Craft Open Shelves in both low and high sizes.

a. For connecting open shelves, use the connection plates provided to screw the underside of each unit together at the front and back.

b. For connecting cabinets or open shelves to cabinets, use the connection plates provided to screw the uprights on the back side of of each unit together at the top and bottom.

