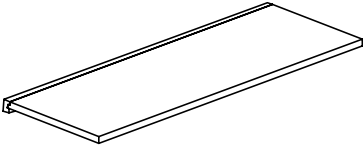
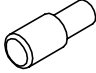
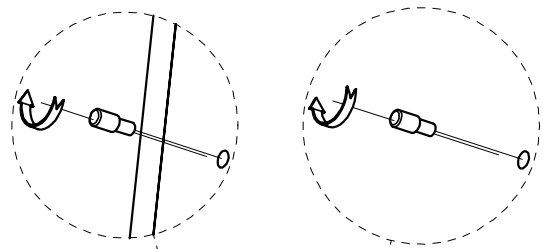


# CITTÀ

## Craft Sideboard | Medium

---

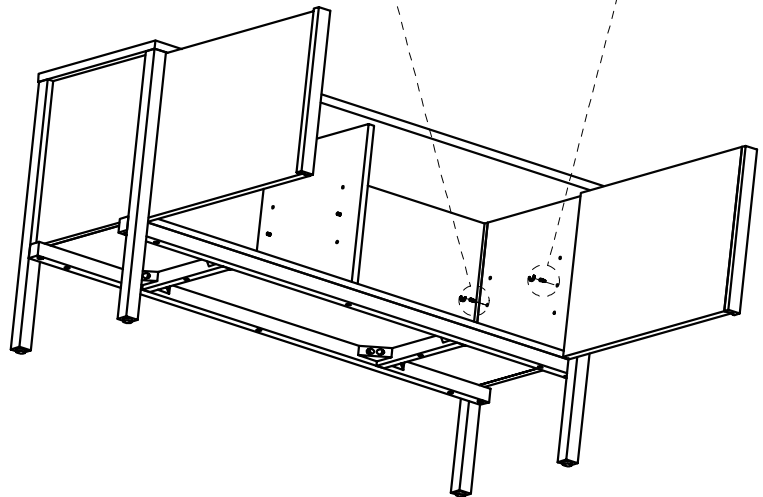
Shelf x 2	Pin x 8
	



### Step 1

---

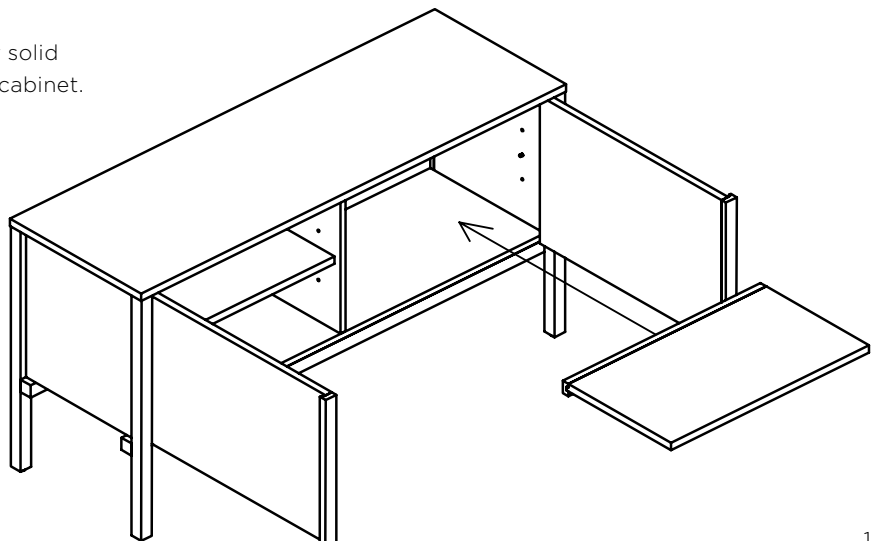
Tighten the shelf pins onto the cabinet where you want the shelf positioned.



### Step 2

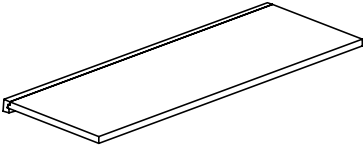
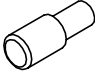
---

Place the shelves on the pins, the deeper solid timber shelf edge sits at the back of the cabinet.



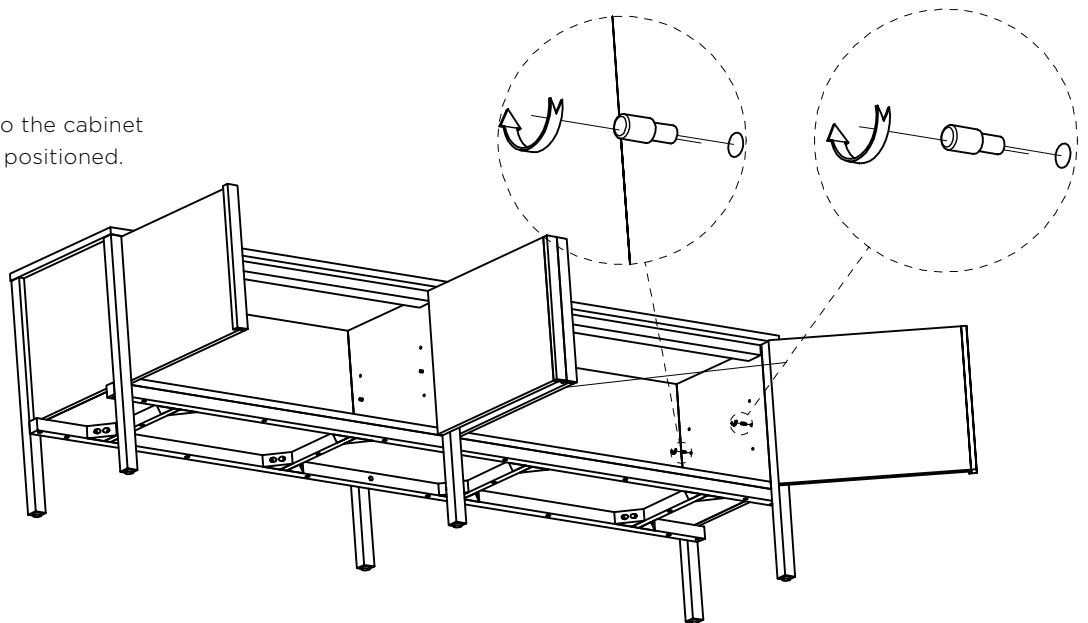
# CITTÀ

## Craft Sideboard | Large

Shelf x 2	Pin x 8
	

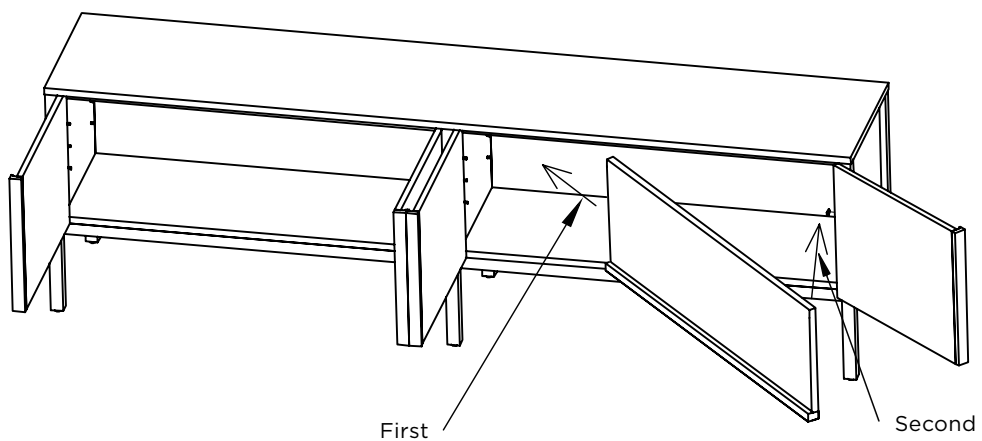
### Step 1

Tighten the shelf pins onto the cabinet where you want the shelf positioned.



### Step 2a

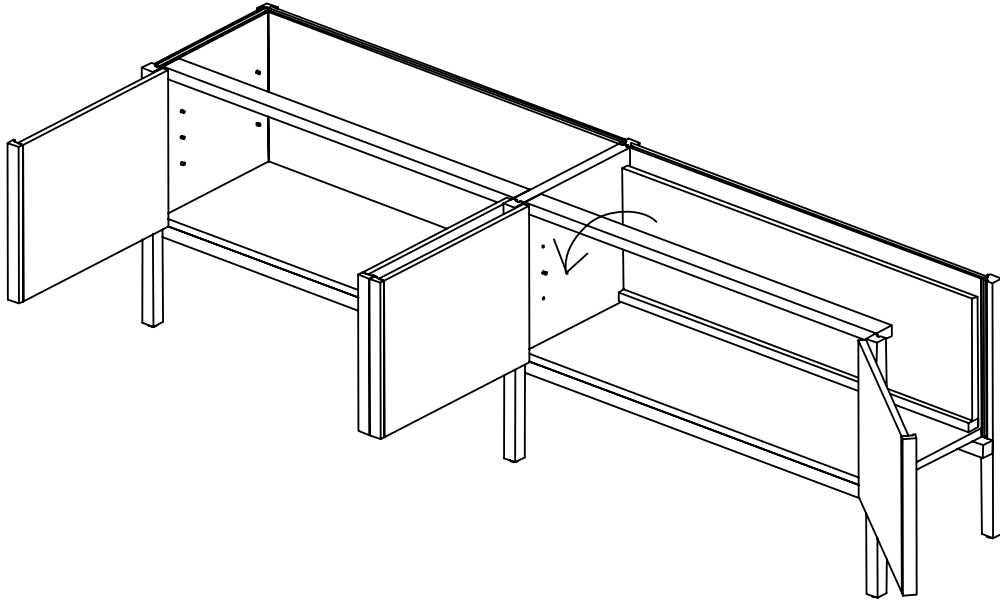
Place the shelves on the pins following these steps.  
Place the shelf into the back of the cupboard vertically and on an angle, as shown below.



### Step 2b

---

Pull the top of the shelf up and toward the front of the cabinet, over and onto the pins. The deeper solid timber shelf edge sits at the back of the cabinet.



### Step 3

---

Repeat these steps on the other side of the cabinet.

