

# CITTÀ

## Exhibit Shelving

---

### Product Information Document

Display treasured keepsakes and art pieces with the Exhibit shelf. Crafted from solid American oak, the shelf has a warm, timeless appeal, enhanced by its softly rounded uprights.



# Exhibit Shelving

---

## Material

Solid oak

---

## Colour



Oak

Single shelf: TSF0259FSC

Double shelf: TSF0260FSC

---

## Certifications

FSC certified

---

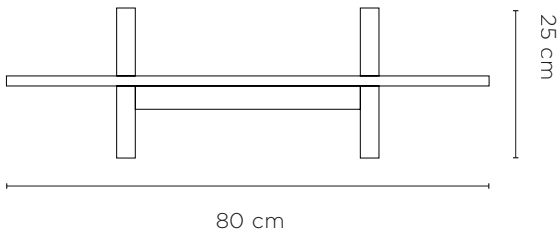
**Dimensions Assembled:** Single Shelf: 80x17.5x25cmh  
Double Shelf: 80x17.5x50cmh

**Dimenisons Packaged:** Single Shelf: 86x24x10.5cmh  
Double Shelf: 86x24x10.5cmh

---

**Residential Warranty:** 3 years

**Commercial Warranty:** 3 years



---

## Installation Required

---

## Care Instructions

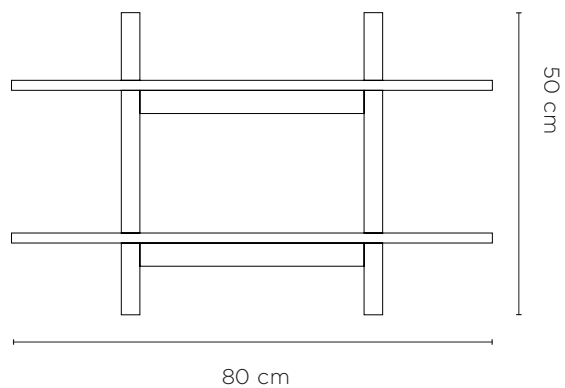
Wipe clean using warm damp cloth. Avoid leaving water sitting on the surface as this can damage the product. Avoid the use of scouring pads scouring cream or cleaning products containing alcohol as they may cause damage.

We do not recommend placing wooden furniture in direct sunlight or near sources of heat. As the wood ages the natural colour will change and darken. The natural characteristics of wood cause it to expand and contract with changes in humidity. Prolonged exposure to these environments may cause the timber to dry out shrink crack or fade over time.

---

**Weight:** Single Shelf: 2kg  
Double Shelf: 4kg

**Weight Packaged:** Single Shelf: 3.2kg  
Double Shelf: 5.2kg



# Configurations

---

The Exhibit shelf is designed to be modular. By positioning multiple shelves above or below each other, larger shelf configurations with equal spacing can be created.

