

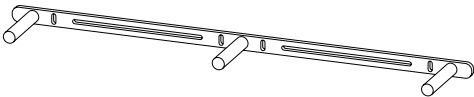
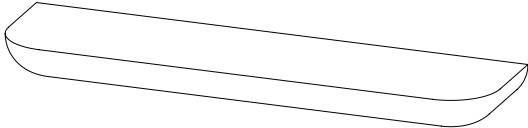


CITTÀ

Radial Floating Shelf | S, M & L

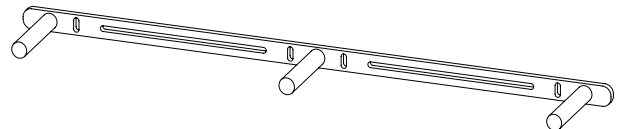
Tools Required Drill | Level

Parts Included

Screws x 4	Bolts x 2
	
Bracket	Shelf
	

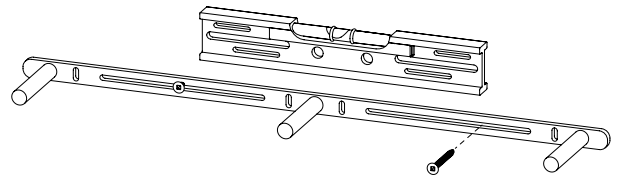
Step 1

Locate the bracket at your desired position on wall and drill the first screw in place.



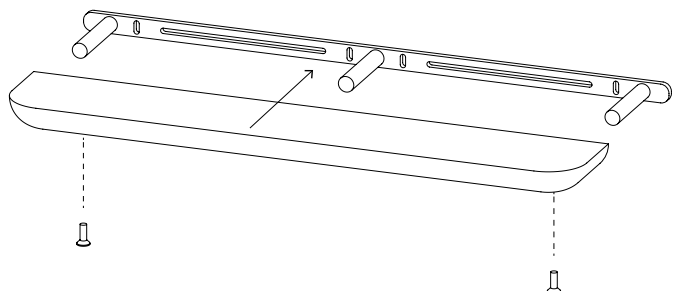
Step 2

Use a spirit level to ensure the bracket sits horizontal then drill in the remaining screws to secure it in place.



Step 3

Fit the shelf onto the wall bracket then secure it with bolts on the underside.



*We recommend using a qualified builder or cabinetmaker for installation.
All screws must fix into load bearing wall.*